

FPS-Plus Polymer Shelving with SaniGardTM Anti-Microbial Protection

Note: Please dispose of loose, round plastic pieces. These are used to separate the shelves for shipping purposes.

Helpful Hint: When placing the plastic tapered sleeves onto the posts (Step 1), slide the plastic tapered sleeves up or down on the post until you feel it “snap” into the lines or grooves of the post. It is normal to have a slight gap in-between the two pieces of the plastic tapered sleeves when it is placed on the post.

Step 1 Choose the desired height of the bottom shelf (for added stability, it is recommended that the bottom shelf is installed no more than 6”(2 – 3 lines) from the floor and the top shelf no more than 6”(2 – 3 lines) from the top.) Snap two (2) plastic tapered sleeves, with the arrows facing up, at the desired height on each post. (See Diagram #1) Shelves can be adjusted every 1”. (Note: Double grooves in the posts are placed every 8th groove for simple shelf height reference.)

Step 2 Place shelf on its side, making sure the wider portion of the four (4) round shelf collars are facing the bottom of the unit, slide the top of the posts through the round shelf collars on each corner of the shelves. Push the shelves firmly onto the plastic tapered sleeves. (See Diagram #2)

Step 3 After installing the bottom shelf, set the unit upright

Step 4 Snap the plastic tapered sleeves into place on posts at the next desired shelf height. Slide the shelf down from the top of the posts onto the plastic tapered sleeves and repeat this step for the remaining shelves. (Note: A rubber mallet may be used to tap each corner of the shelves so they firmly install onto the plastic tapered sleeves.) (Note: The leg levelers may need to be utilized in order to make the unit level or flush against the wall.)



WARNING: HEAVY OBJECTS MUST BE PLACED--NOT DROPPED--ONTO THE SHELVES!!

DIAGRAM 1

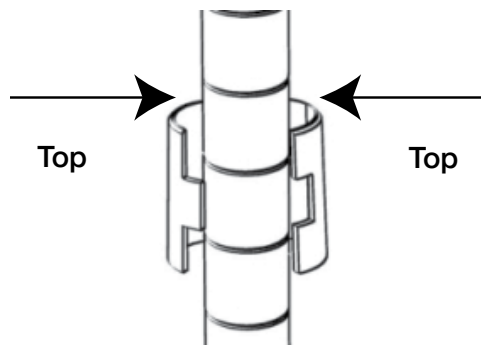
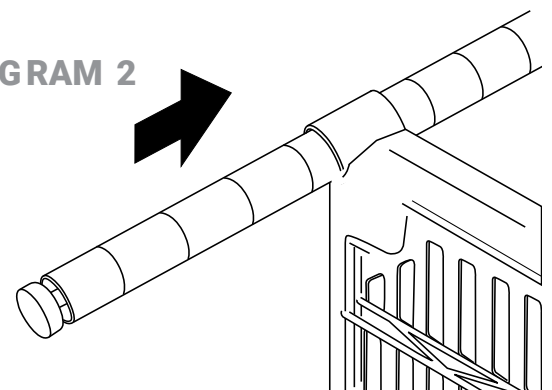


DIAGRAM 2



continued on backside

ASSEMBLY INSTRUCTIONS

Model# FTPRCST5 5" TPR Stem Casters with Bumpers

Model# FSCAST5 5" Polyurethane Stem Casters with Bumpers

Model# FTCAST5 5" Polyurethane Threaded Casters with Bumpers

Step 1 Slide a plastic bumper up the bottom of post about 4" - 6", smooth side facing up.

Step 2 For Stem - Install caster by inserting it into the hole in the bottom of the post.
For Threaded - Remove leveling assembly by turning it counter-clockwise.
Install caster by screwing it into the hole at the bottom of the post.

Step 3 Slide the plastic bumper down to the bottom of the post.

Step 4 Repeat these steps to install the remaining 3 casters.

Step 5 Then assemble shelving unit.

Note: The casters can be locked in place by turning the steel lock mechanism counter clockwise on the side of two of the casters.

Weight capacity Stem - 300 lbs. per caster

Threaded - 200 lbs. per caster

